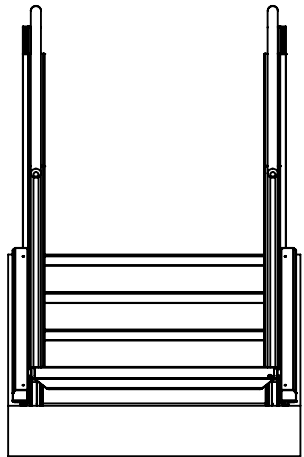
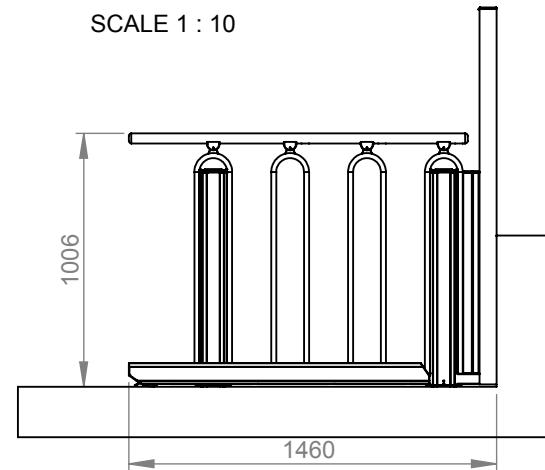
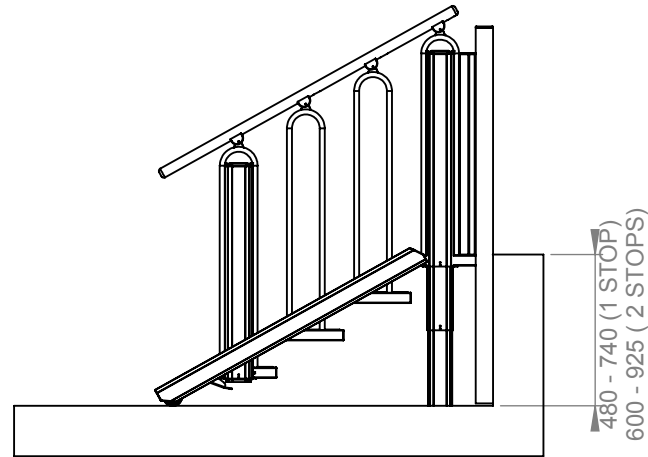


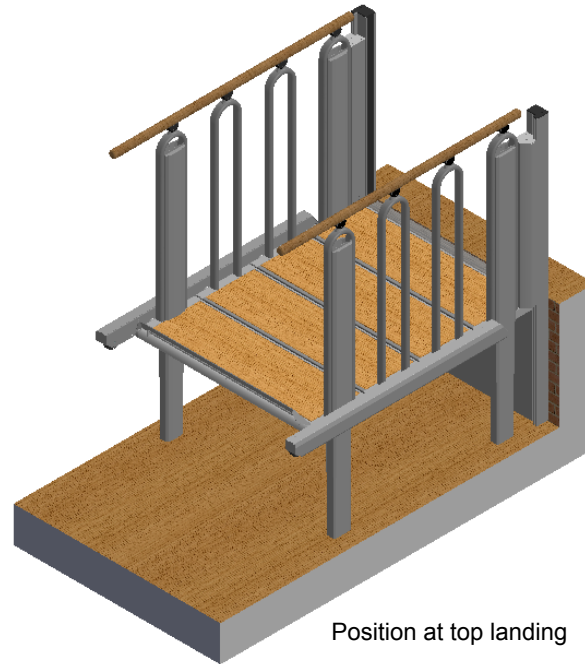
DETAIL A
SCALE 1 : 10



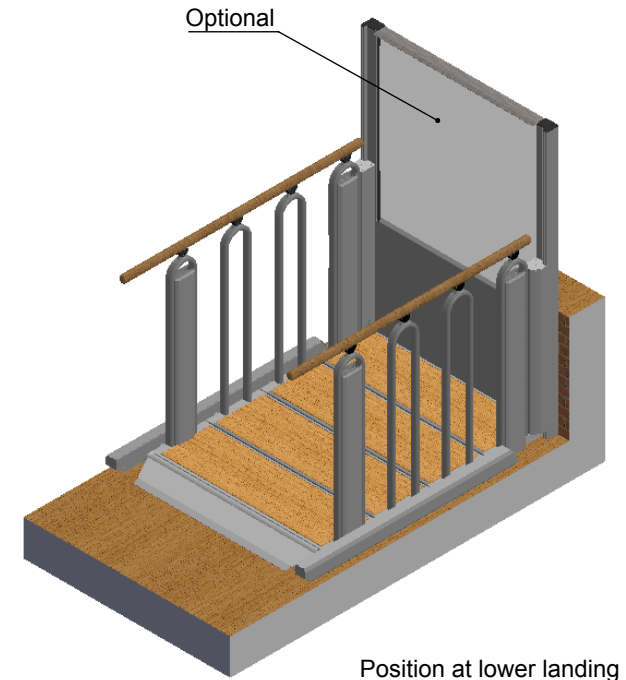
Minimum Installation Dimension
 960 mm (model 700 mm)
 1060 mm (model 800 mm)
 1160 mm (model 900 mm)
 1260 mm (model 1000 mm)



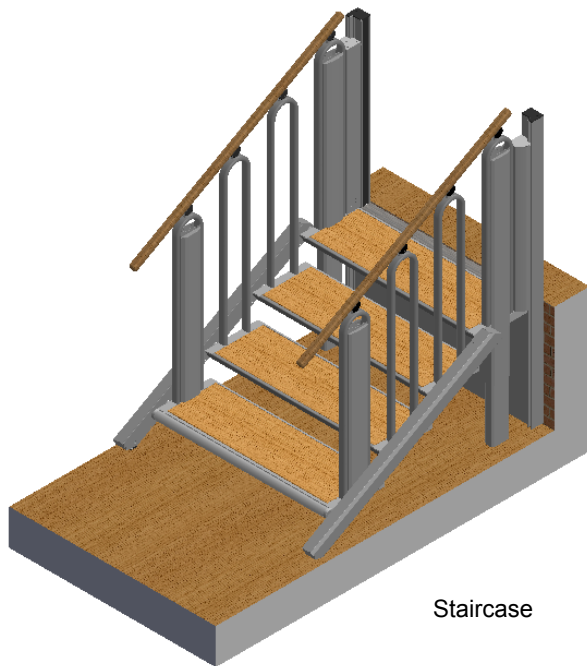
Specs.	Choice	Model:	4 STEPS	
Installation	Indoor	Balustrade:	Round	Last change date: 28-10-2015
Handrails	Oak	Lifting Capacity:	400 kg	Product Name
Step Inserts	Oak	Drawn by:	MP	FLEXSTEP V2
Colour	Akzo Nobel 900	Customer :		Scale: 1:30 A4
Packing	Carton or Wood Pallet Box			
Op. Panel				



Position at top landing

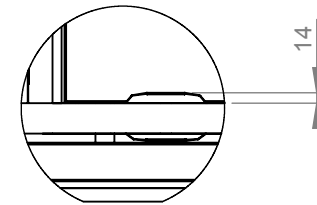
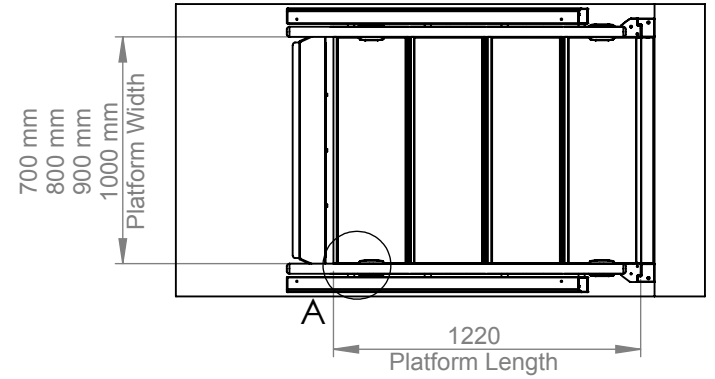
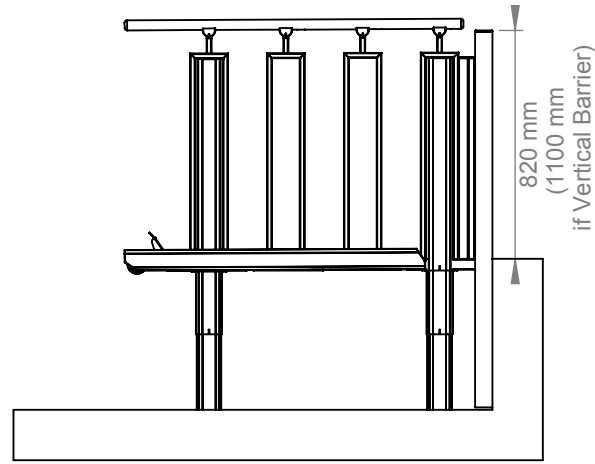
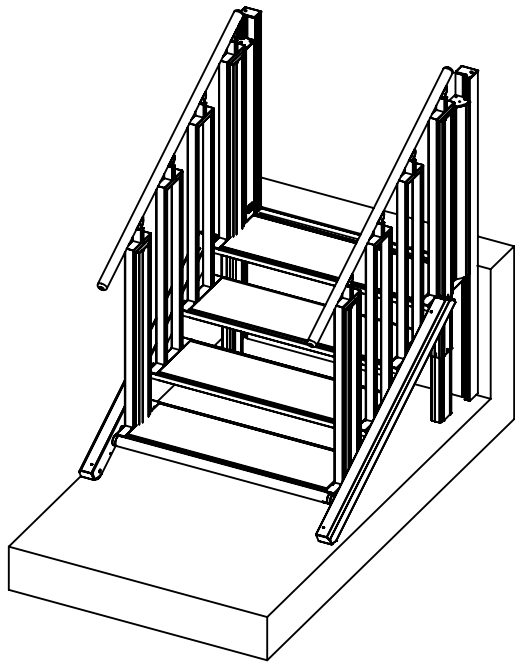


Position at lower landing

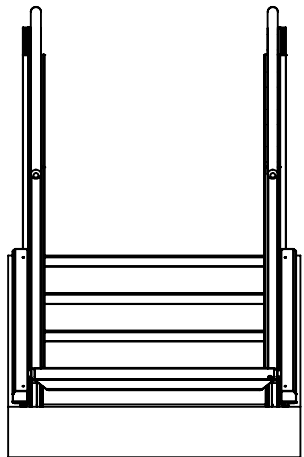


Staircase

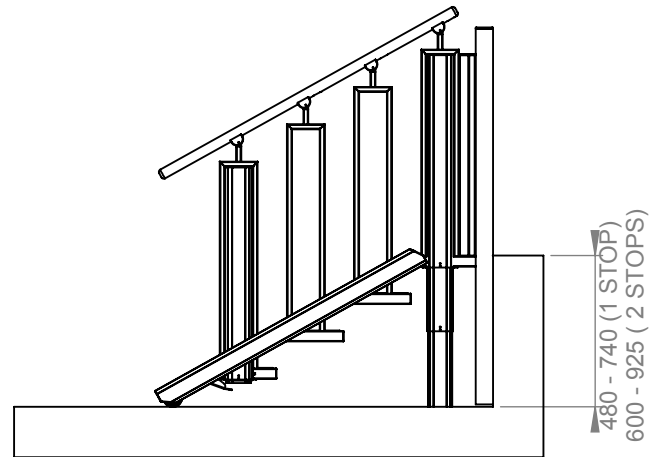
Specs.	Choice	Model:	4 STEPS	
Installation	Indoor	Balustrade:	Round	Last change date: 28-10-2015
Handrails	Oak	Lifting Capacity:	400 kg	Product Name
Step Inserts	Oak	Drawn by:	MP	FLEXSTEP V2
Colour	Akzo Nobel 900	Customer :		Scale: 1:30 A4
Packing	Carton or Wood Pallet Box			
Op. Panel				



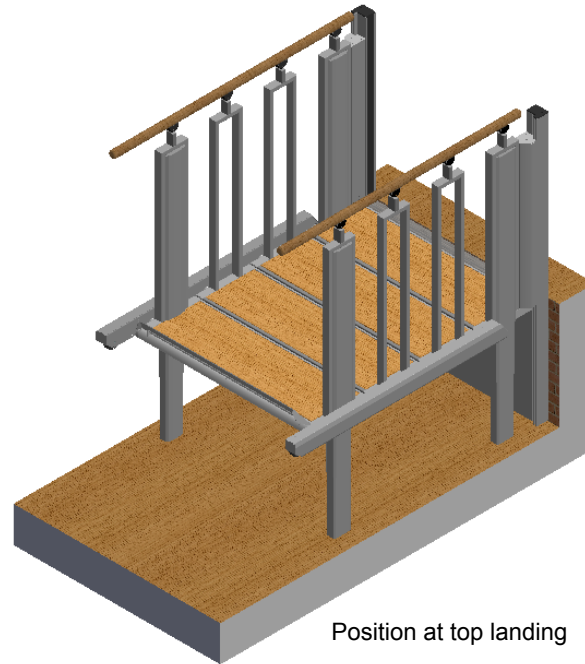
DETAIL A
SCALE 1 : 10



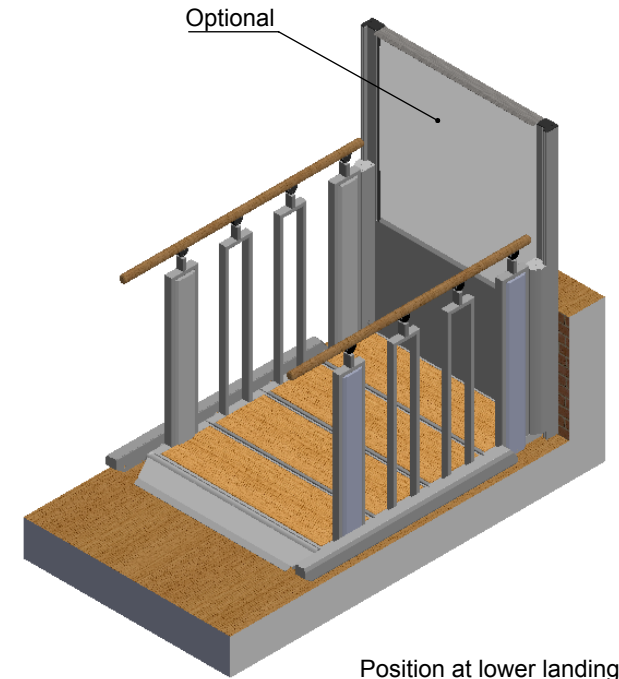
Minimum Installation Dimension
 960 mm (model 700 mm)
 1060 mm (model 800 mm)
 1160 mm (model 900 mm)
 1260 mm (model 1000 mm)



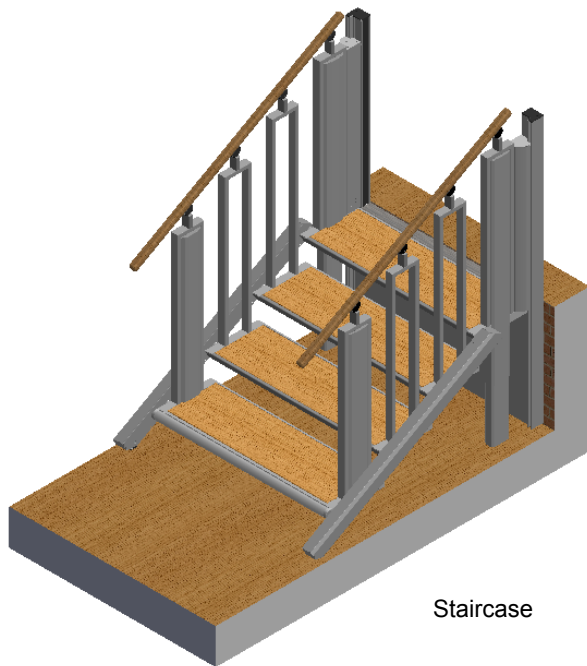
Specs.	Choice	Model:	4 STEPS	
Installation	Indoor	Balustrade:	Square	Last change date: 28-10-2015
Handrails	Oak	Lifting Capacity:	400 kg	Product Name
Step Inserts	Oak	Drawn by:	MP	FLEXSTEP V2
Colour	Akzo Nobel 900	Customer :		Scale: 1:30 A4
Packing	Carton or Wood Pallet Box			
Op. Panel				



Position at top landing



Position at lower landing



Staircase

Specs.	Choice	Model:	4 STEPS	
Installation	Indoor	Balustrade:	Square	Last change date: 28-10-2015
Handrails	Oak	Lifting Capacity:		
Step Inserts	Oak	Drawn by:	MP	Customer :
Colour	Akzo Nobel 900			Product Name
Packing	Carton or Wood Pallet Box			FLEXSTEP V2
Op. Panel				Scale: 1:30 A4